

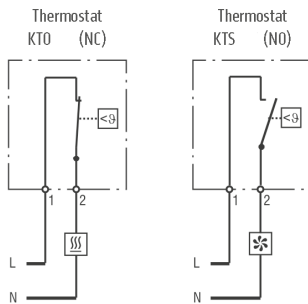
# SMALL COMPACT THERMOSTAT KTO 1140 / KTS 1141



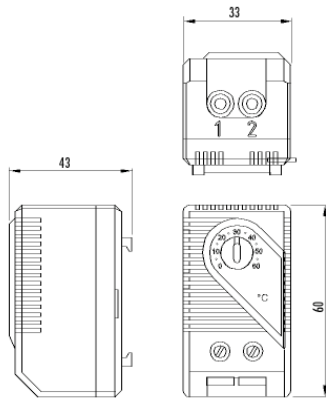
- Large setting range
- Small size
- Simple to mount
- High switching performance



Connection diagrams



 Heater  
 Filter fan, Cooling equipment, Signal device



**Thermostat (normally closed):** contact breaker for regulating heaters.  
 The contact opens when temperature is rising.

**Thermostat (normally open):** contact maker for regulating of filter fans and heat exchangers or for switching signal devices when temperature limit has been exceeded.  
 The contact closes when temperature is rising.

Switch temperature difference: 7K ( $\pm 4$ K tolerance)  
 Sensor element: thermostatic bimetal  
 Setting range: 0-60 °C  
 Contact type: snap-action contact  
 Service life: > 100,000 cycles  
 Operating/Storage temperature: -45 to +80°C (-49 to +176°F)  
 Operating/Storage humidity: max. 90% RH (non-condensing)  
 Max. switching capacity: 250 V AC, 10 (2) A  
 120 V AC, 15 (2) A  
 DC 30 W at 24 V DC to 72 V DC  
 AC 16 A for 10 sec.  
 Max. inrush current:  
 Connection: 2-pole terminal, clamping torque 0.5 Nm  
 max.: rigid wire 2.5 mm<sup>2</sup>, stranded wire (with wire end ferrule) 1.5 mm<sup>2</sup>  
 Mounting: clip for 35mm DIN rail, EN 60715  
 Casing: plastic according to UL94 V-0, light grey  
 Fitting position: variable  
 Weight: approx. 40 g  
 Protection type: IP20  
 Dimensions: 60 x 33 x 43 mm  
**Approbation:** CE, VDE, corresp. RoHS, UL (on request)

Article name	Order-No.	Description
KTO 1140	101056	Contact breaker (NC)
KTS 1141	101059	Contact maker (NO)

07.09.18